



FILTRATION

 **D&P GROUP**

DEP-CFS COOLANT BAG FILTRATION



MODEL	Voltage V	Power kW	Hz	Max flow GPM
DEPCFS1000	230V / 110V	0.55	50/60	4.4
DEPCFS1500	230V / 110V	0.66	50/60	6.6
DEPCFS3000	230V / 110V	0.8	50/60	13.2
DEPCFS5000	230V / 110V	1.1	50/60	22
DEPCFS7500	230V / 110V	1.1	50/60	33
DEPCFS12000	230V / 110V	1.5	50/60	52.8



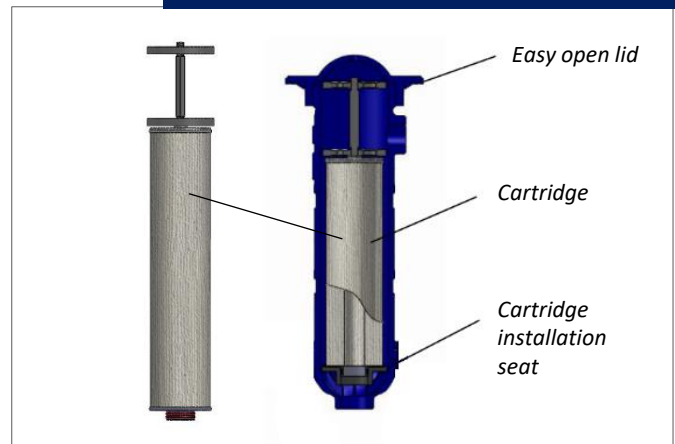
The images shown are for illustration purposes only and may not be an exact representation of the product

MODEL	Dimensions inches			Weight	Wheels
	W	D	H	lbs	nr
DEPCFS1000	19.7	18.5	41.3	77	2
DEPCFS1500	19.7	18.5	41.3	80	2
DEPCFS3000	19.7	18.5	41.3	86	2
DEPCFS5000	19.7	18.5	41.3	89	2
DEPCFS7500	35.4	32.7	55	143	4
DEPCFS12000	35.4	32.7	55	147	4

Filtration grade μm	1, 2, 3, 5, 10, 25, 50, 75, 100
--	---------------------------------

Max Operating Pressure	145 PSI
-------------------------------	---------

Bag filter scheme



DEP-OFS OIL BAG FILTRATION

MODEL	Voltage V	Hz	Max flow GPM	Filtration Grade	Pressure switch
DEPOFS650	110	60	2.9	From 1 to 50 µm	No
DEPOFS650-1	110	60	2.9	Fixed 10 µm	No
DEPOFS650-A	230	50/60	2.9	From 1 to 50 µm	No
DEPOFS650-A1	230	50/60	2.9	Fixed 10 µm	No
DEPOFS650-B	230	50/60	2.9	From 1 to 50 µm	Yes
DEPOFS650-B1	230	50/60	2.9	Fixed 10 µm	Yes
DEPOFS650-C	110	60	2.9	From 1 to 50 µm	Yes
DEPOFS650-C1	110	60	2.9	Fixed 10 µm	Yes
DEPOFS2000	110	60	8.8	From 1 to 50 µm	No
DEPOFS2000A	230	50/60	8.8	From 1 to 50 µm	No
DEPOFS3200	400	50/60	14	From 1 to 50 µm	No



The images shown are for illustration purposes only and may not be an exact representation of the product

Filtration grade µm	1, 2, 3, 5, 10, 25, 50
----------------------------	------------------------

Pressure switch control	14 – 218 PSI
--------------------------------	--------------

Model DEPOFS650-B - DEPOFS650-B1 - DEPOFS650-C - DEPOFS650-C1

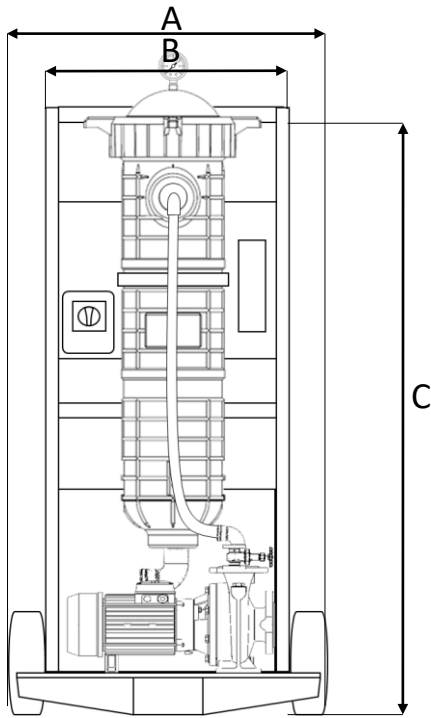
Fixed filtration grade µm	10
----------------------------------	----

Model DEPOFS650-1 - DEPOFS650-A1 - DEPOFS650-B1 - DEPOFS650-C1

Exploded view – Oil filter



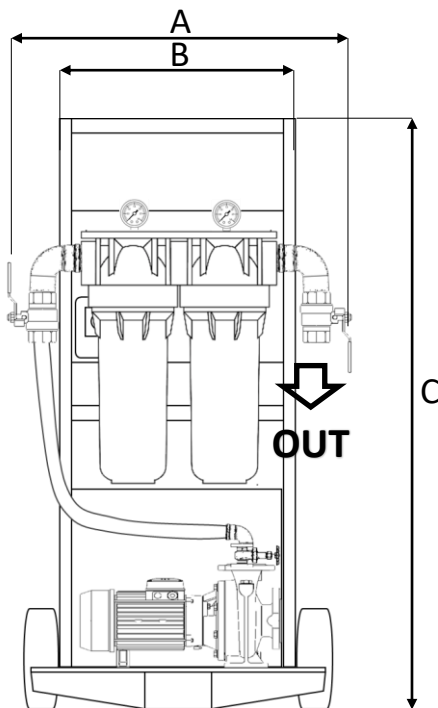
DEP-CFS



MODEL	Dimensions inches		
	A	B	C
DEPCFS1000	19.7	18.5	51
DEPCFS1500	19.7	18.5	51
DEPCFS3000	19.7	18.5	51
DEPCFS5000	19.7	18.5	51
DEPCFS7500	35.4	32.7	55.2
DEPCFS12000	35.4	32.7	55.2

Dimensions and details shown in the models may not reflect the actual dimensions or details of a particular part due to tooling changes, drawing errors or other reasons. D&P reserves the right to change any portion of the models without notice at any time.

DEP-OFS



MODEL	Dimensions inches		
	A	B	C
DEPOFS650	19.7	18.5	45.3
DEPOFS650-1	19.7	18.5	45.3
DEPOFS650-A	19.7	18.5	45.3
DEPOFS650-A1	19.7	18.5	45.3
DEPOFS650-B	19.7	18.5	45.3
DEPOFS650-B1	19.7	18.5	45.3
DEPOFS650-C	19.7	18.5	45.3
DEPOFS650-C1	19.7	18.5	45.3
DEPOFS2000	19.7	18.5	45.3
DEPOFS2000A	19.7	18.5	45.3
DEPOFS3200	19.7	18.5	45.3

Dimensions and details shown in the models may not reflect the actual dimensions or details of a particular part due to tooling changes, drawing errors or other reasons. D&P reserves the right to change any portion of the models without notice at any time.

DEP-ECF COOLANT CARTRIDGE FILTRATION

MODEL	Voltage V	Hz	Max flow GPM	Filtration Grade (*)
DEPECF-1C	230	50/60	22	3, 5, 10
DEPECF-1C1	230	50/60	31.7	3, 5, 10
DEPECF-1CA	110	60	22	3, 5, 10
DEPECF-1C1A	110	60	31.7	3, 5, 10

DEPECF-2C	230	50/60	44	3, 5, 10
DEPECF-2CA	230	50/60	44	3, 5, 10

The images shown are for illustration purposes only and may not be an exact representation of the product



DEP-OCF OIL CARTRIDGE FILTRATION

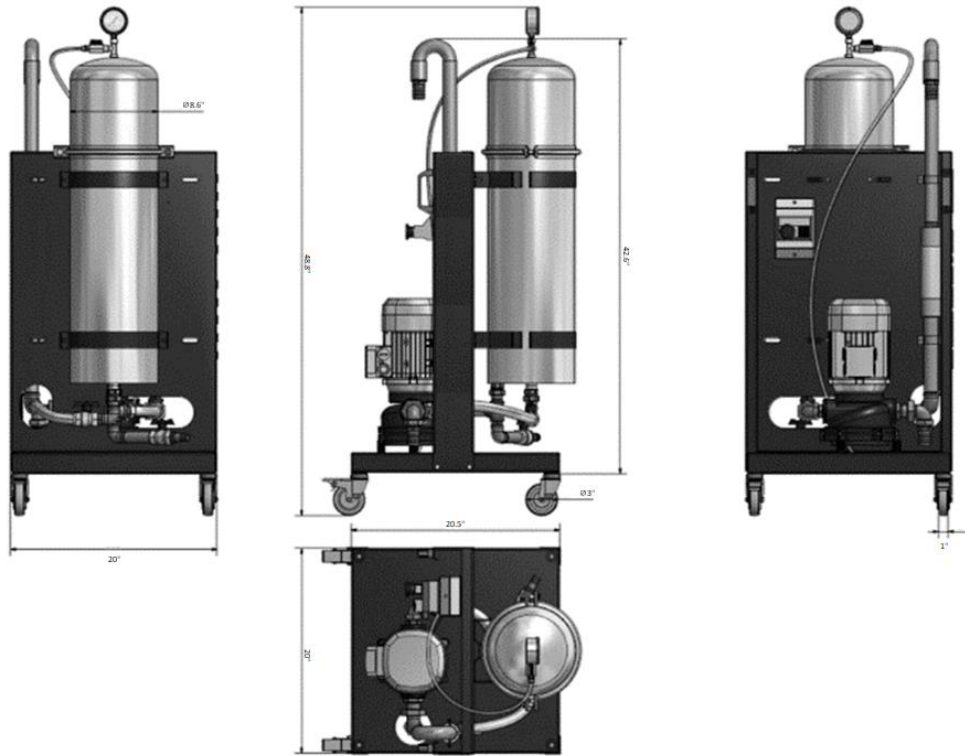
MODEL	Voltage V	Hz	Max flow GPM	Filtration Grade (*)
DEPOCF-1C	230	50/60	22	3, 5, 10
DEPOCF-1C1	230	50/60	31.7	3, 5, 10
DEPOCF-1CA	110	60	22	3, 5, 10
DEPOCF-1C1A	110	60	31.7	3, 5, 10

DEPOCF-2C	230	50/60	44	3, 5, 10
DEPOCF-2CA	230	50/60	44	3, 5, 10

The images shown are for illustration purposes only and may not be an exact representation of the product

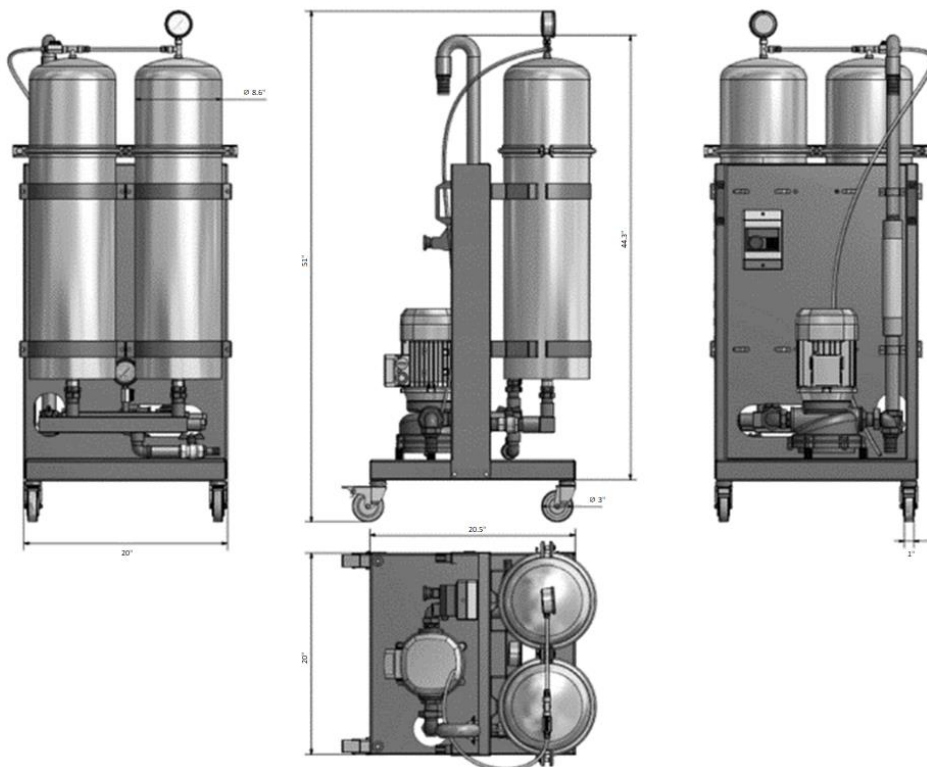


DEP-ECF/OCF 1



Dimensions and details shown in the models may not reflect the actual dimensions or details of a particular part due to tooling changes, drawing errors or other reasons. D&P reserves the right to change any portion of the models without notice at any time.

DEP-ECF/OCF 2



Dimensions and details shown in the models may not reflect the actual dimensions or details of a particular part due to tooling changes, drawing errors or other reasons. D&P reserves the right to change any portion of the models without notice at any time.

DEP-EY BELT FILTRATION

MODEL	Tank capacity GAL	Coolant flow (capacity) GPM	Neat oil flow (capacity) GPM	Total head PSI	Pump power kW	Belt Motor power kW	Weight lbs
DEPEY50	48.8	13	6.6	29	0,16	0,12	238
DEPEY100	84.5	26.4	13	29	0,30	0,12	320
DEPEY150	135	29.6	19.8	29	0,40	0,12	443
DEPEY200	168	52.8	26.4	29	0,53	0,12	531
DEPEY250	203	66	33	29	0,78	0,12	606
DEPEY300	240	79	39.6	29	1,15	0,12	672
DEPEY400	313	105.7	52.8	29	1,47	0,12	760



The images shown are for illustration purposes only and may not be an exact representation of the product

DEPEO BELT FILTRATION

MODEL	Tank capacity CAL	Coolant flow (capacity) GPM	Neat oil flow (capacity) GPM	Total head PSI	Pump power kW	Belt Motor power kW	Weight lbs
DEPEO300	35.7	6.6	4	29	0,16	0,12	156.5
DEPEO500	63.4	15.8	8	29	0,30	0,12	251
DEPEO700	123	26.4	13	29	0,53	0,12	359
DEPEO1000	161	44.9	22.5	29	0,78	0,12	434
DEPEO1200	203.4	66	33	29	1,15	0,12	522.5
DEPEO1500	303.8	92.5	46	29	3,60	0,12	665.5



The images shown are for illustration purposes only and may not be an exact representation of the product

DEPKSM MAGNETIC SEPARATION

MODEL	Coolant flow (capacity) GPM	Neat oil flow (capacity) GPM	Motor power kW	Weight lbs
DEPKSM75	19.8	10	0,12	66
DEPKSM150	39.6	20	0,12	121
DEPKSM250	66	33	0,12	154
DEPKSM350	92.5	46	0,12	187
DEPKSM500	132	66	0,12	286



The images shown are for illustration purposes only and may not be an exact representation of the product

DEP-EY series, DEPEO series, DEP-ksm series are available with 230V, 50-60 Hz motors.