



OXYGENATION & DISINFECTION

 **D&P GROUP**

DEP-OX OXYGENATION



Model	Power Hz	kW	Hz	Air CFM
DEPOXECO	230 / 110	0.2	50/60	0.59



Model	D	Air qty CFM	Membrane material	Weight lbs
DEPOXPRODISC250	9"	0.02	EPDM-Silicon-PTFE Coated	13
DEPOXPRODISC320	12"	0.025	EPDM-Silicon-PTFE Coated	20



Model	Power	D	Membrane material	Air Qty CFM
DEPOXPROTUBE	Pneumatic	3"	EPDM-Silicon-PTFE Coated	0.025



The images shown are for illustration purposes only and may not be an exact representation of the product

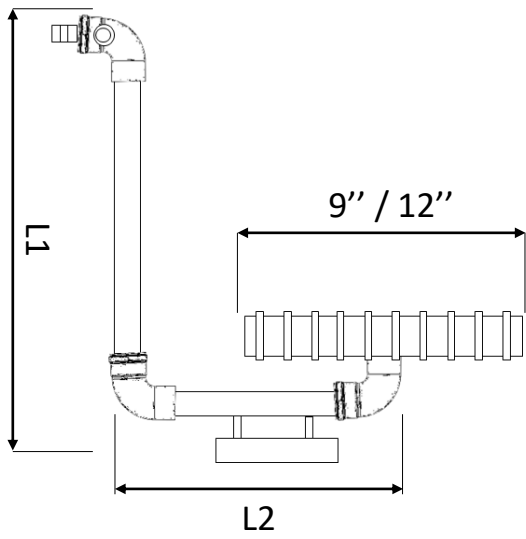
DEP-P3 DISINFECTION

MODEL	Voltage V	Power kW	Hz	Max flow GPM
DEPP3	230V	0.37	50/60	13.2
DEPP3A	110V	0.37	60	13.2

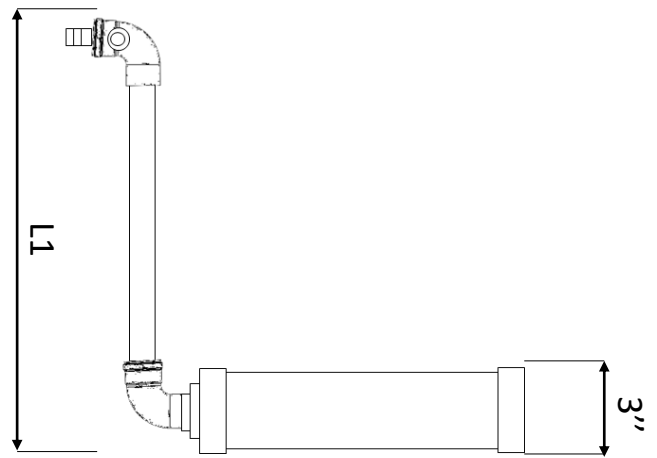


The images shown are for illustration purposes only and may not be an exact representation of the product

DEP-OX



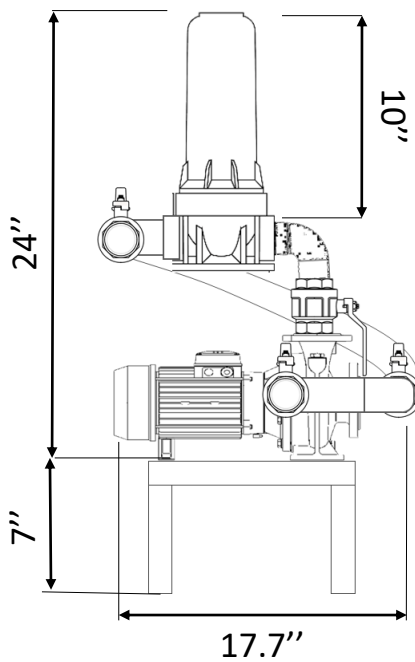
L1	Customized on customer's request
L2	Customized on customer's request



L1	Customized on customer's request
----	----------------------------------

Dimensions and details shown in the models may not reflect the actual dimensions or details of a particular part due to tooling changes, drawing errors or other reasons. D&P reserves the right to change any portion of the models without notice at any time.

DEP-P3



Dimensions and details shown in the models may not reflect the actual dimensions or details of a particular part due to tooling changes, drawing errors or other reasons. D&P reserves the right to change any portion of the models without notice at any time.